



## BUF420A

### HIGH VOLTAGE FAST-SWITCHING NPN POWER TRANSISTOR

- STMicroelectronics PREFERRED SALESTYPE
- HIGH VOLTAGE CAPABILITY
- VERY HIGH SWITCHING SPEED
- MINIMUM LOT-TO-LOT SPREAD FOR RELIABLE OPERATION
- LOW BASE-DRIVE REQUIREMENTS

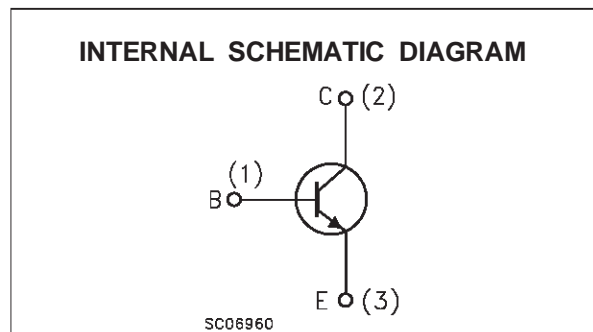
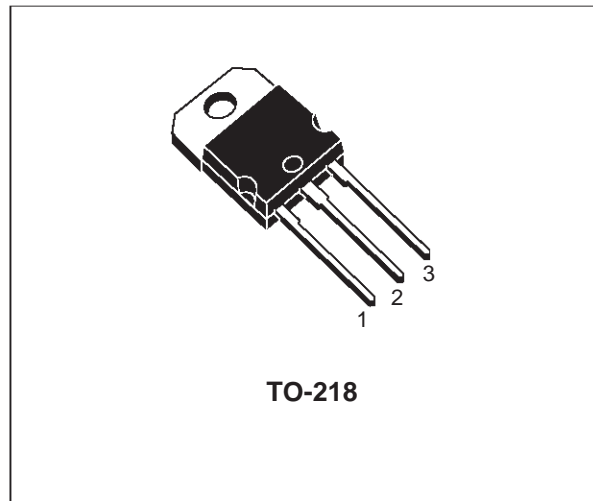
#### APPLICATIONS:

- SWITCH MODE POWER SUPPLIES
- MOTOR CONTROL

#### DESCRIPTION

The BUF420A is manufactured using High Voltage Multi Epitaxial Planar technology for high switching speeds and high voltage capacity. It use a Cellular Emitter structure with planar edge termination to enhance switching speeds while maintaining a wide RBSOA.

The BUF series is designed for use in high-frequency power supplies and motor control applications.



#### ABSOLUTE MAXIMUM RATINGS

Symbol	Parameter	Value	Unit
$V_{CEV}$	Collector-Emitter Voltage ( $V_{BE} = -1.5V$ )	1000	V
$V_{CEO}$	Collector-Emitter Voltage ( $I_B = 0$ )	450	V
$V_{EBO}$	Emitter-Base Voltage ( $I_C = 0$ )	7	V
$I_C$	Collector Current	30	A
$I_{CM}$	Collector Peak Current ( $t_p < 5$ ms)	60	A
$I_B$	Base Current	6	A
$I_{BM}$	Base Peak Current ( $t_p < 5$ ms)	9	A
$P_{tot}$	Total Dissipation at $T_C = 25^\circ C$	200	W
$T_{stg}$	Storage Temperature	-65 to 150	$^\circ C$
$T_j$	Max. Operating Junction Temperature	150	$^\circ C$

**THERMAL DATA**

R <sub>thj-case</sub>	Thermal Resistance Junction-Case	Max	0.63	°C/W
-----------------------	----------------------------------	-----	------	------

**ELECTRICAL CHARACTERISTICS** (T<sub>case</sub> = 25 °C unless otherwise specified)

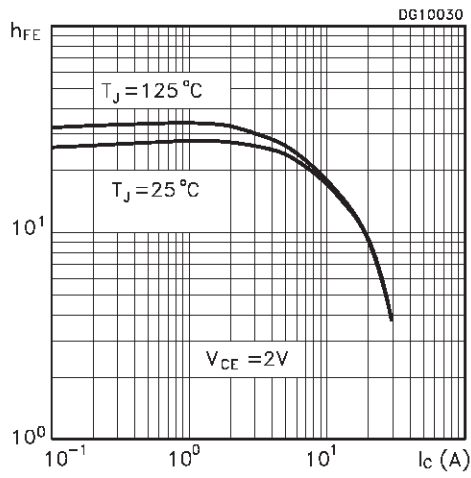
Symbol	Parameter	Test Conditions	Min.	Typ.	Max.	Unit
I <sub>CER</sub>	Collector Cut-off Current (R <sub>BE</sub> = 5 Ω)	V <sub>CE</sub> = 1000 V V <sub>CE</sub> = 1000 V T <sub>c</sub> = 100 °C			0.2 1	mA mA
I <sub>CEV</sub>	Collector Cut-off Current (V <sub>BE</sub> = -1.5V)	V <sub>CE</sub> = 1000 V V <sub>CE</sub> = 1000 V T <sub>c</sub> = 100 °C			0.2 1	mA mA
I <sub>EBO</sub>	Emitter Cut-off Current (I <sub>C</sub> = 0)	V <sub>BE</sub> = 5 V			1	mA
V <sub>CEO(sus)*</sub>	Collector-Emitter Sustaining Voltage (I <sub>B</sub> = 0)	I <sub>C</sub> = 200 mA L = 25 mH	450			V
V <sub>EBO</sub>	Emitter Base Voltage (I <sub>C</sub> = 0)	I <sub>E</sub> = 50 mA	7			V
V <sub>CE(sat)*</sub>	Collector-Emitter Saturation Voltage	I <sub>C</sub> = 10 A I <sub>B</sub> = 1 A I <sub>C</sub> = 10 A I <sub>B</sub> = 1 A T <sub>c</sub> = 100°C I <sub>C</sub> = 20 A I <sub>B</sub> = 2 A I <sub>C</sub> = 20 A I <sub>B</sub> = 2 A T <sub>c</sub> = 100°C		0.8 0.5	2.8 2	V V V V
V <sub>BE(sat)*</sub>	Base-Emitter Saturation Voltage	I <sub>C</sub> = 10 A I <sub>B</sub> = 1 A I <sub>C</sub> = 10 A I <sub>B</sub> = 1 A T <sub>c</sub> = 100°C I <sub>C</sub> = 20 A I <sub>B</sub> = 2 A I <sub>C</sub> = 20 A I <sub>B</sub> = 2 A T <sub>c</sub> = 100°C		0.9 1.1	1.5 1.5	V V V V
di <sub>c</sub> /dt	Rate of rise on-state Collector Current	V <sub>CC</sub> = 300 V R <sub>C</sub> = 0 t <sub>p</sub> = 3 μs I <sub>B1</sub> = 1.5 A T <sub>j</sub> = 25°C I <sub>B1</sub> = 1.5 A T <sub>j</sub> = 100°C I <sub>B1</sub> = 6 A T <sub>j</sub> = 100°C	70 150	100		A/μs A/μs A/μs
V <sub>CE(3μs)</sub>	Collector-Emitter Dynamic Voltage	V <sub>CC</sub> = 300 V R <sub>C</sub> = 60 Ω I <sub>B1</sub> = 1.5 A T <sub>j</sub> = 25°C I <sub>B1</sub> = 1.5 A T <sub>j</sub> = 100°C		2.1	8	V V
V <sub>CE(5μs)</sub>	Collector-Emitter Dynamic Voltage	V <sub>CC</sub> = 300 V R <sub>C</sub> = 60 Ω I <sub>B1</sub> = 1.5 A T <sub>j</sub> = 25°C I <sub>B1</sub> = 1.5 A T <sub>j</sub> = 100°C		1.1	4	V V
t <sub>s</sub> t <sub>f</sub> t <sub>c</sub>	INDUCTIVE LOAD Storage Time Fall Time Cross Over Time	I <sub>C</sub> = 10 A V <sub>CC</sub> = 50 V V <sub>BB</sub> = - 5 V R <sub>BB</sub> = 0.6 Ω V <sub>clamp</sub> = 400 V I <sub>B1</sub> = 0.5 A L = 0.25 mH		1 0.05 0.08		μs μs μs
t <sub>s</sub> t <sub>f</sub> t <sub>c</sub>	INDUCTIVE LOAD Storage Time Fall Time Cross Over Time	I <sub>C</sub> = 10 A V <sub>CC</sub> = 50 V V <sub>BB</sub> = - 5 V R <sub>BB</sub> = 0.6 Ω V <sub>clamp</sub> = 400 V I <sub>B1</sub> = 1 A L = 0.25 mH T <sub>j</sub> = 100°C			2 0.1 0.18	μs μs μs
V <sub>CEW</sub>	Maximum Collector Emitter Voltage without Snubber	I <sub>C</sub> = 10 A V <sub>CC</sub> = 50 V V <sub>BB</sub> = - 5 V R <sub>BB</sub> = 0.6 Ω V <sub>clamp</sub> = 400 V I <sub>B1</sub> = 1 A L = 0.25 mH T <sub>j</sub> = 125°C	500			V
t <sub>s</sub> t <sub>f</sub> t <sub>c</sub>	INDUCTIVE LOAD Storage Time Fall Time Cross Over Time	I <sub>C</sub> = 10 A V <sub>CC</sub> = 50 V V <sub>BB</sub> = 0 R <sub>BB</sub> = 0.15 Ω V <sub>clamp</sub> = 400 V I <sub>B1</sub> = 1 A L = 0.25 mH		1.5 0.04 0.07		μs μs μs

**ELECTRICAL CHARACTERISTICS** (continued)

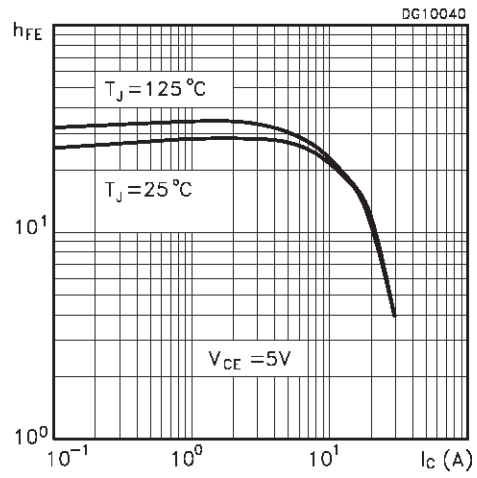
Symbol	Parameter	Test Conditions		Min.	Typ.	Max.	Unit
$t_s$ $t_f$ $t_c$	INDUCTIVE LOAD Storage Time Fall Time Cross Over Time	$I_C = 10\text{ A}$ $V_{BB} = 0$ $V_{clamp} = 400\text{ V}$ $L = 0.25\text{ mH}$	$V_{CC} = 50\text{ V}$ $R_{BB} = 0.15\ \Omega$ $I_{B1} = 1\text{ A}$ $T_j = 100^\circ\text{C}$			3 0.15 0.25	$\mu\text{s}$ $\mu\text{s}$ $\mu\text{s}$
$V_{CEW}$	Maximum Collector Emitter Voltage without Snubber	$I_C = 10\text{ A}$ $V_{BB} = 0$ $V_{clamp} = 400\text{ V}$ $L = 0.25\text{ mH}$	$V_{CC} = 50\text{ V}$ $R_{BB} = 0.15\ \Omega$ $I_{B1} = 1\text{ A}$ $T_j = 125^\circ\text{C}$	500			V
$t_s$ $t_f$ $t_c$	INDUCTIVE LOAD Storage Time Fall Time Cross Over Time	$I_C = 20\text{ A}$ $V_{BB} = -5\text{ V}$ $V_{clamp} = 400\text{ V}$ $L = 0.12\text{ mH}$	$V_{CC} = 50\text{ V}$ $R_{BB} = 0.6\ \Omega$ $I_{B1} = 4\text{ A}$		2.2 0.06 0.12		$\mu\text{s}$ $\mu\text{s}$ $\mu\text{s}$
$t_s$ $t_f$ $t_c$	INDUCTIVE LOAD Storage Time Fall Time Cross Over Time	$I_C = 20\text{ A}$ $V_{BB} = -5\text{ V}$ $V_{clamp} = 400\text{ V}$ $L = 0.12\text{ mH}$	$V_{CC} = 50\text{ V}$ $R_{BB} = 0.6\ \Omega$ $I_{B1} = 4\text{ A}$ $T_j = 125^\circ\text{C}$			3.5 0.12 0.3	$\mu\text{s}$ $\mu\text{s}$ $\mu\text{s}$
$V_{CEW}$	Maximum Collector Emitter Voltage without Snubber	$I_{C\text{Woff}} = 30\text{ A}$ $V_{BB} = -5\text{ V}$ $L = 0.08\text{ mH}$ $T_j = 125^\circ\text{C}$	$V_{CC} = 50\text{ V}$ $R_{BB} = 0.6\ \Omega$ $I_{B1} = 6\text{ A}$	400			V

# BUF420A

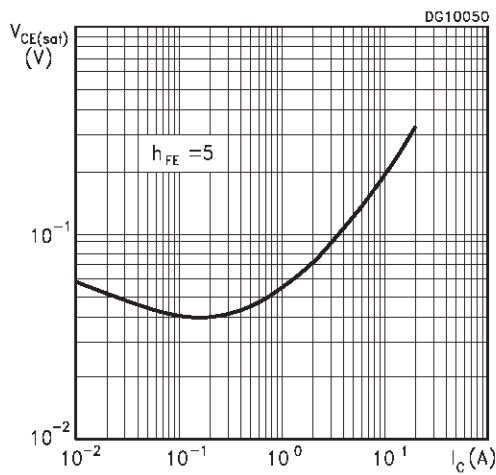
DC Current Gain



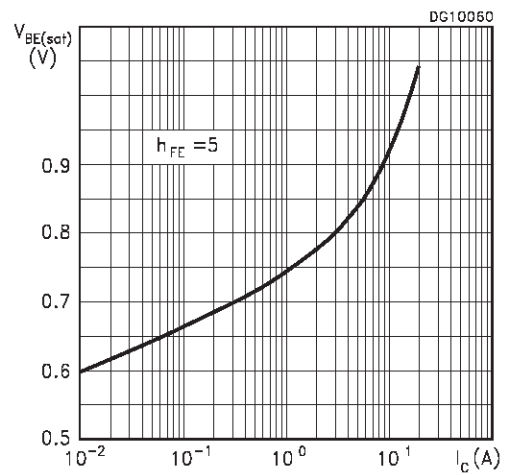
DC Current Gain



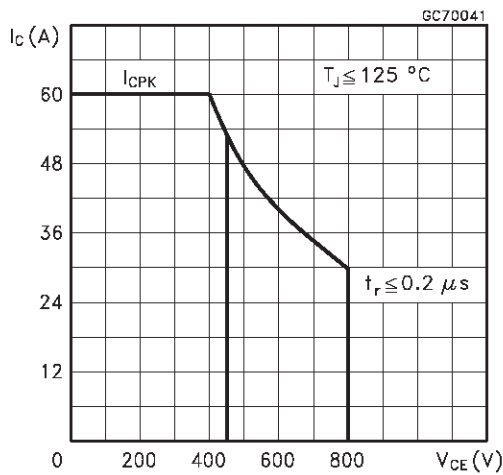
Collector Emitter Saturation Voltage



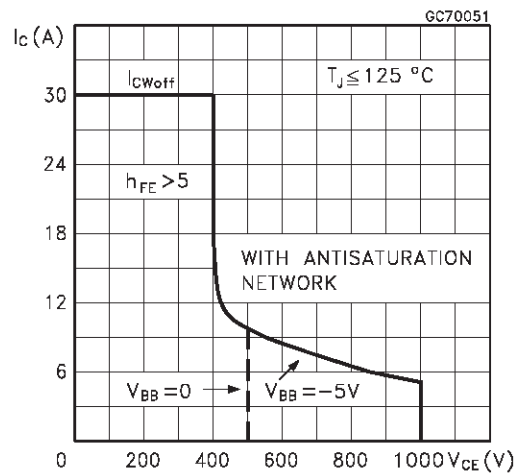
Base Emitter Saturation Voltage



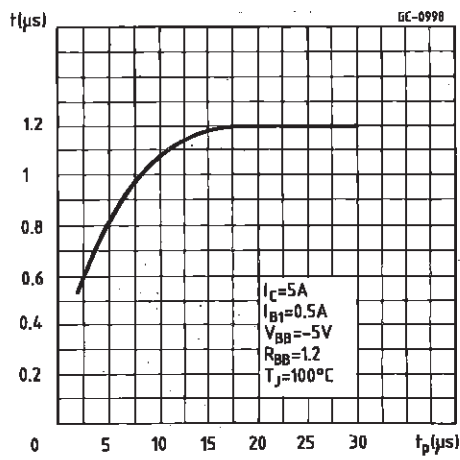
Forward Biased Safe Operating Areas.



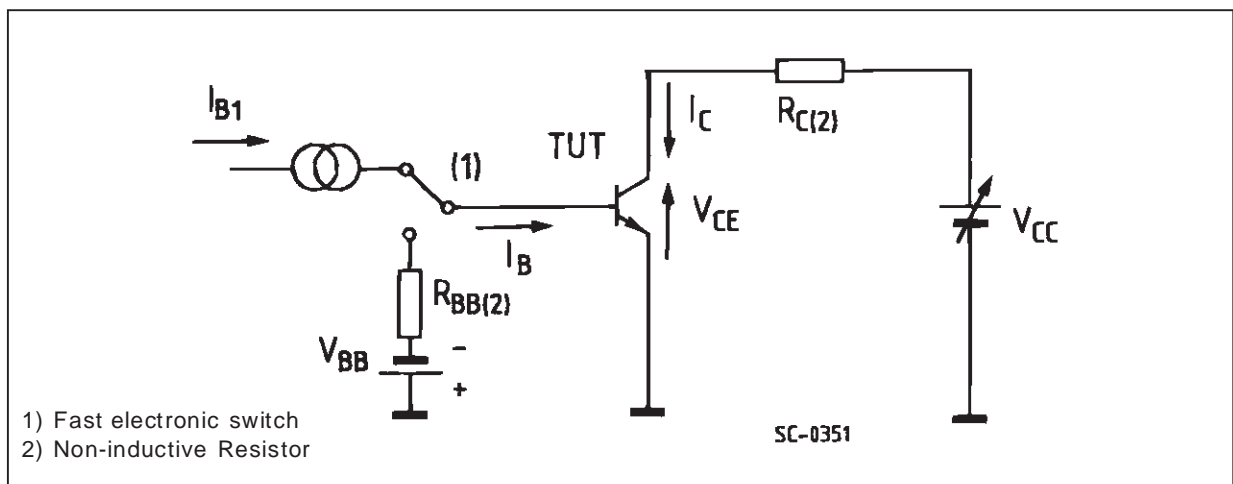
Reverse Biased Safe Operating Area



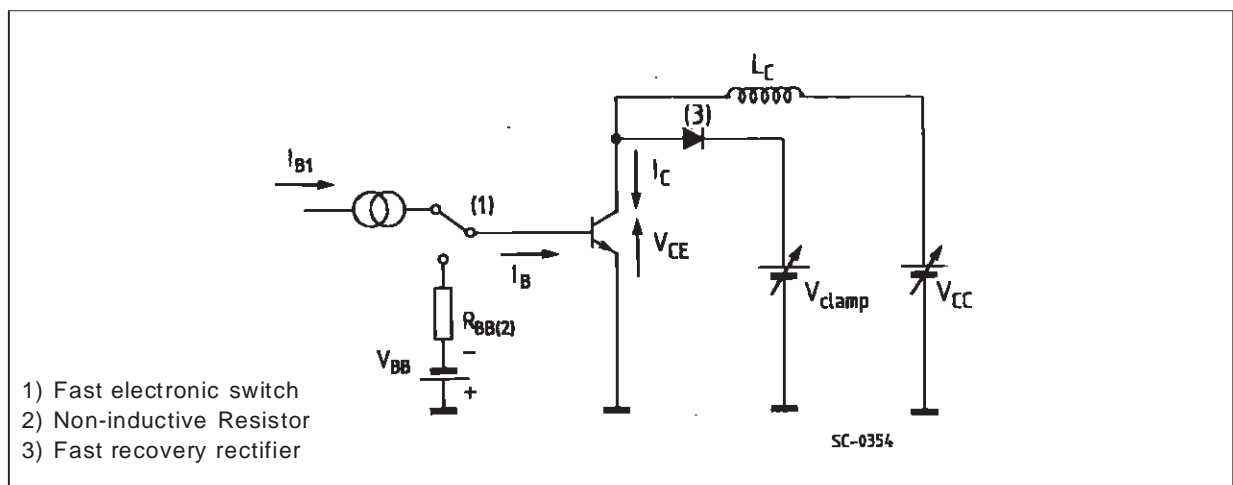
Storage Time Versus Pulse Time.



Turn-on Switching Test Circuit.

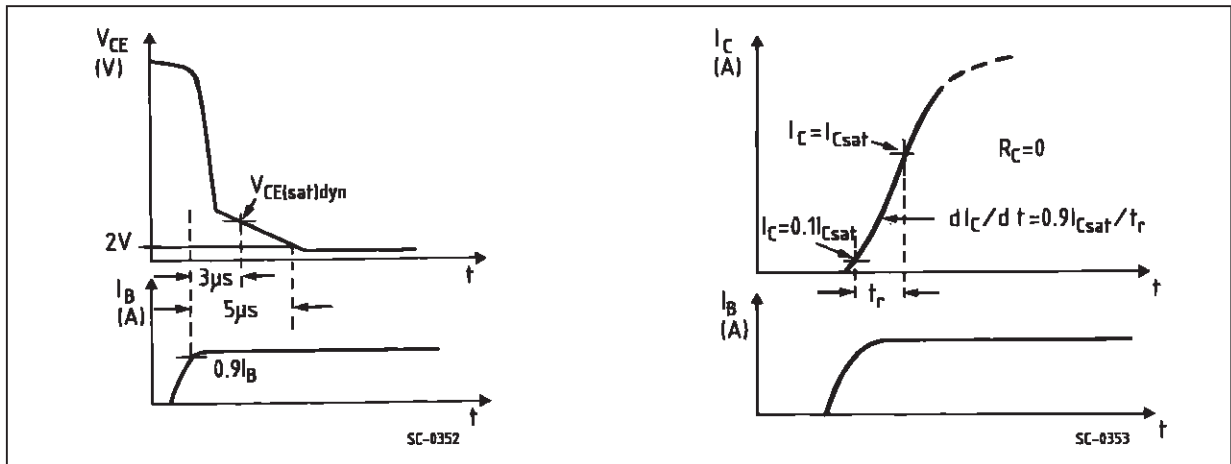


Turn-off Switching Test Circuit.

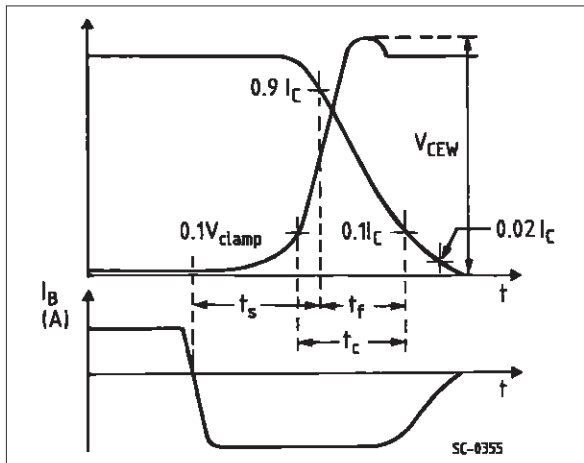


# BUF420A

## Turn-on Switching Test Waveforms.

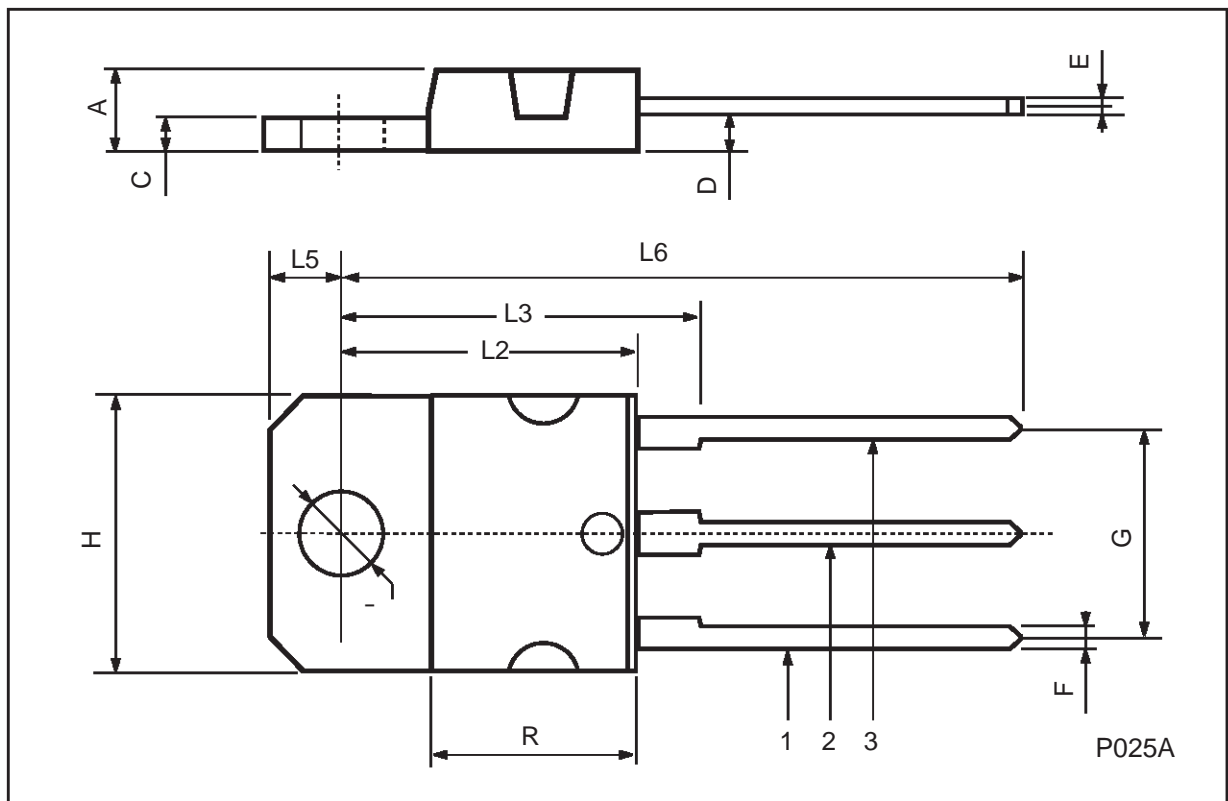


## Turn-off Switching Test Waveforms (inductive load).



**TO-218 (SOT-93) MECHANICAL DATA**

DIM.	mm			inch		
	MIN.	TYP.	MAX.	MIN.	TYP.	MAX.
A	4.7		4.9	0.185		0.193
C	1.17		1.37	0.046		0.054
D		2.5			0.098	
E	0.5		0.78	0.019		0.030
F	1.1		1.3	0.043		0.051
G	10.8		11.1	0.425		0.437
H	14.7		15.2	0.578		0.598
L2	-		16.2	-		0.637
L3		18			0.708	
L5	3.95		4.15	0.155		0.163
L6		31			1.220	
R	-		12.2	-		0.480
Ø	4		4.1	0.157		0.161



Information furnished is believed to be accurate and reliable. However, STMicroelectronics assumes no responsibility for the consequences of use of such information nor for any infringement of patents or other rights of third parties which may result from its use. No license is granted by implication or otherwise under any patent or patent rights of STMicroelectronics. Specification mentioned in this publication are subject to change without notice. This publication supersedes and replaces all information previously supplied. STMicroelectronics products are not authorized for use as critical components in life support devices or systems without express written approval of STMicroelectronics.

The ST logo is a trademark of STMicroelectronics

© 2000 STMicroelectronics – Printed in Italy – All Rights Reserved

STMicroelectronics GROUP OF COMPANIES

Australia - Brazil - China - Finland - France - Germany - Hong Kong - India - Italy - Japan - Malaysia - Malta - Morocco -  
Singapore - Spain - Sweden - Switzerland - United Kingdom - U.S.A.

<http://www.st.com>